

# Traffic-Manager<sup>®</sup>

## Arrow Lights & Boards

- ✓ Arrow / Directional Lights - LED | Incandescent
- ✓ Arrow Boards - LED
- ✓ Lift Kits

Arrow lights come in multiple light sources and alternating flash patterns to provide advance, directional warning signals to drivers. Arrow boards provide extra directional warning on a larger scale with up to 1 mile of visibility and meet M.U.T.C.D. specifications.

Increase work zone safety by insuring your vehicle is equipped with quality safety lights that will catch the attention of distracted drivers



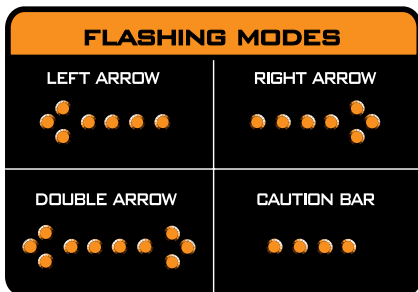
# Arrow/Directional Lights - LED

## 800 SERIES



**Specifications:**

Voltage: 12 or 24VDC  
 Current Draw: 7AMP  
 Size: 55"L x 13"H  
 Base: Heavy gauge enamel-dipped aluminum  
 Mounting: Magnetic mount kit or hinged bracket mount kit  
 Flashing Modes: Left, right, double arrow, caution bar  
 Features:  
 - Includes arrow light, diagnostic controller & 25' or 50' wiring harness  
 Warranty: 1 Year



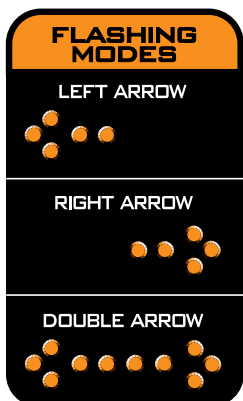
PART #	VOLTAGE / INCLUDES
SY800-LED	12VDC / Arrow light, diagnostic controller & 25' wiring harness
SY800-LED-50	12VDC / Arrow light, diagnostic controller & 50' wiring harness
SY800-24VDC-LED	24VDC / Arrow light, diagnostic controller & 25' wiring harness
SY800-24VDC-LED-50	24VDC / Arrow light, diagnostic controller & 50' wiring harness

## 855 SERIES



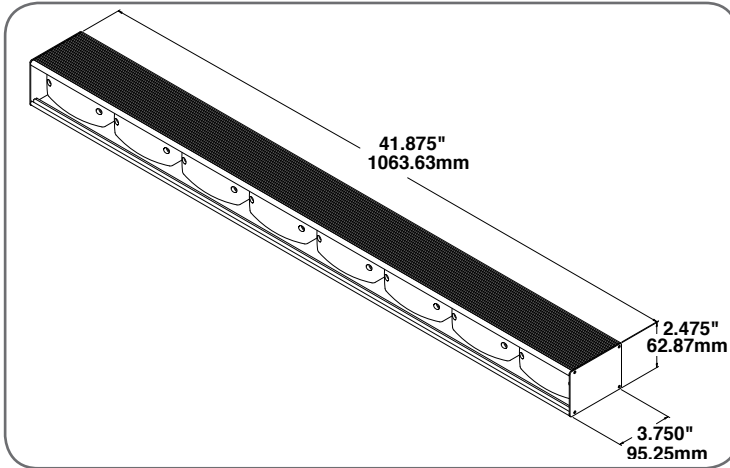
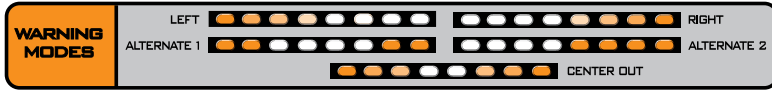
**Specifications:**

Voltage: 12 or 24VDC  
 Current Draw: 7AMP  
 Size: 22.5"L x 16"H - 2 pieces per set  
 Base: ABS high-impact corrosion-resistant plastic base with sealed back  
 Mounting: Magnetic mount kit  
 Flashing Modes: Left, right, double arrow  
 Features:  
 - Includes arrow light, diagnostic controller & 25' or 50' wiring harness  
 Warranty: 1 Year



PART #	VOLTAGE / INCLUDES
SY855-LED	12VDC / Split arrow light, diagnostic controller & 25' wiring harness
SY855-LED-50	12VDC / Split arrow light, diagnostic controller & 50' wiring harness
SY855-24VDC-LED	24VDC / Split arrow light, diagnostic controller & 25' wiring harness
SY855-LED-50-24VDC	24VDC / Split arrow light, diagnostic controller & 50' wiring harness

## 900 SERIES



### Specifications:

Voltage: 12VDC  
 Current Draw: 2AMP max  
 Size: 42"L x 3.75"D x 3"H  
 Lamps: 8 LED pods rated at 100,000 hour life  
 Brightness Control: High/low  
 Speed Control: Fast/slow  
 Sequential Modes: Left and right arrows, center out and 2 alternating flash patterns

### Features:

- Includes arrow light, controller & 25' or 50' wiring harness
- Warranty: 1 Year

### PART # DESCRIPTION

SY900-LED	Arrow light, controller & 25' wiring harness
SY900-50-LED	Arrow light, controller & 50' wiring harness

### Replacement Parts:

PART #	DESCRIPTION
SY927	Magnetic mount kit
SY928	Universal mount kit
SY930	L-Bracket mount kit
SY934	Flush mount kit
SY924	Clear dust cover
SY900-X	Arrow decal
SY922	Amber lens
SY921	12VDC control box
SY921-PLUG	9 position plug for control box wiring harness
SY900-SW	Rotary switch assembly

## 965 SERIES



### Specifications:

Voltage: 12-24VDC  
 Current Draw: 2AMP max  
 Size: 42"L x 4.5"D x 3.25"H  
 Lamps: 8 LED modules 200 lumens each  
 Brightness Control: High/low  
 Speed Control: Fast/slow

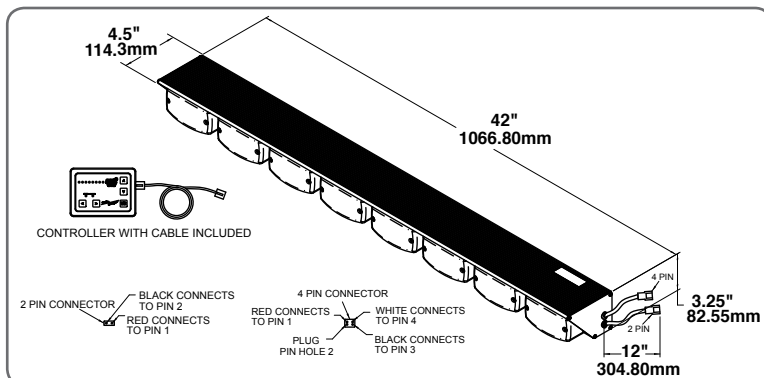
Sequential Modes: Left, right, center out & 2 alternating flash patterns (patterns have fast/slow option)

### Features:

- Water resistant light
- Replaceable LED modules
- SY965 does not include power cable
- Warranty: 1 Year

### PART # INCLUDES

SY965	Arrow light, controller & 25' controller cable
SY965-25	Arrow light, controller, 25' controller cable & 25' power cable
SY965-50	Arrow light, controller, 50' controller cable & 50' power cable



### Replacement Parts:

PART #	DESCRIPTION
SY922	Arrow lens
SY927	Magnetic mount kit
SY928	Universal mount kit
SY930	L-Bracket mount kit
SY934	Flush mount kit
SY3980960	Diagnostic controller
EL390-0426	Power cable, 25'
EL390-0451	Power cable, 50'
SY3970025	Controller cable, 25'
SY3970050	Controller cable, 50'
SY965-M	12-24VDC LED module
SY960SEAL-KIT	Seal kit

# Arrow/Directional Lights - LED

## SRTA SERIES



PART #	DESCRIPTION
SRTA06SE4-A	Traffic arrow - 6 heads
SRTA06SE4-A-KIT	Traffic arrow - 6 heads with controller
SRTA08SE4-A	Traffic arrow - 8 heads
SRTA08SE4-A-KIT	Traffic arrow - 8 heads with controller
SRTA10SE4-A	Traffic arrow - 10 heads
SRTA10SE4-A-KIT	Traffic arrow - 10 heads with controller

### Replacement Parts:

PART #	DESCRIPTION
SYMB-LA	Bracket with adjustable height / angle
SYMB-LB	L-Bracket
SYMB-LC	Bracket for flush / surface mount
SRTASE4-A	4 LED module - amber
SRSW610-TA	Controller

FP#	Warning Patterns
0	Random
1	Outside-In Single
2	Outside-In Ultra
3	Side-by-Side Single
4	Side-by-Side Ultra
5	Kit Scan
6	Single (split)
7	Ultra (split)
8	Single H/L (split)
9	Single (all)
10	Ultra (all)

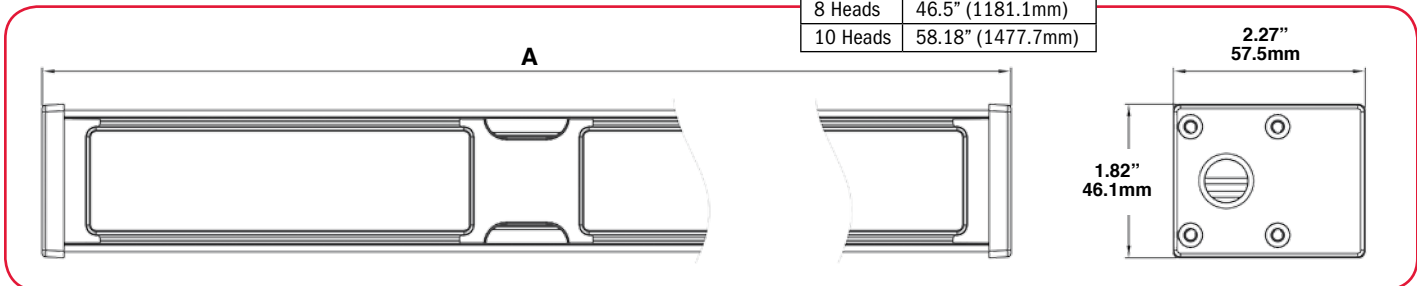
FP#	Arrow Patterns
0	Sweep Single
1	Sweep Double
2	Sweep Triple
3	Sweep Single End-Double
4	Solid
5	Solid End-Double
6	Solid Chaser
7	Solid Fade
8	Blink Double
9	Blink Triple
10	Blink Solid

### Specifications:

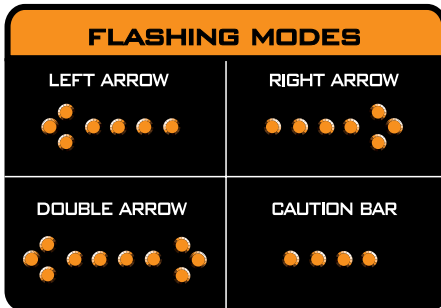
Housing: Aluminum  
 LEDs per Head: 4  
 LED Heads: 6, 8 or 10  
 Voltage: 12-24VDC  
 Avg. Current:  
 6 Heads - 1.56A @ 12.8VDC / 0.78A @ 24VDC  
 8 Heads - 2.08A @ 12.8VDC / 1.04A @ 24VDC  
 10 Heads - 2.60A @ 12.8VDC / 1.30A @ 24VDC  
 Max. Current:  
 6 Heads - 3.12A @ 12.8VDC / 1.56A @ 24VDC  
 8 Heads - 4.16A @ 12.8VDC / 2.08A @ 24VDC  
 10 Heads - 5.20A @ 12.8VDC / 2.60A @ 24VDC  
 Storage Temperature: -40 deg C to +75 deg C  
 Operating Temperature: -30 deg C to +65 deg C  
 Flash Patterns: 11 Warning & 11 Arrow  
 Wire Harness Colors: 6 - Orange, Blue, Brown, Yellow, Green, White  
 Wire Harness Gauge: 16AWG  
 Color: Amber  
 Warranty: 5 Year  
 Features:  
 LEDs rated to 100,000 hours of operation  
 Non-volatile memory recalls last flash pattern used at power up  
 Reverse polarity protection

**Certifications:** Meets SAE  
 CA Title 13 (Lighthouse Only)

	A LENGTH
6 Heads	34.86" (885.5mm)
8 Heads	46.5" (1181.1mm)
10 Heads	58.18" (1477.7mm)



## 800 SERIES

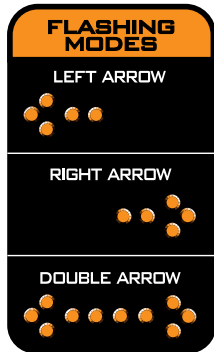


**Specifications:**

Voltage: 12 or 24VDC  
 Current Draw: 20AMP  
 Size: 55"L x 13"H  
 Base: Heavy gauge enamel-dipped aluminum  
 Mounting: Magnetic mount kit or hinged bracket mount kit  
 Flashing Modes: Left, right, double arrow, caution bar  
 Features:  
 - Includes arrow light, diagnostic controller & 25' or 50' wiring harness  
 Warranty: 1 Year

PART #	VOLTAGE / INCLUDES
SY800	12VDC / Arrow light, diagnostic controller & 25' wiring harness
SY800-50	12VDC / Arrow light, diagnostic controller & 50' wiring harness
SY800-24VDC	24VDC / Arrow light, diagnostic controller & 25' wiring harness

## 855 SERIES



**Specifications:**

Voltage: 12 or 24VDC  
 Current Draw: 20AMP  
 Size: 22.5"L x 16"H - 2 pieces per set  
 Base: ABS high-impact corrosion-resistant plastic base with sealed back  
 Mounting: Magnetic mount kit  
 Flashing Modes: Left, right, double arrow  
 Features:  
 - Includes arrow light, diagnostic controller & 25' or 50' wiring harness  
 Warranty: 1 Year

PART #	VOLTAGE / INCLUDES
SY855	12VDC / Split arrow light, diagnostic controller & 25' wiring harness
SY855-50	12VDC / Split arrow light, diagnostic controller & 50' wiring harness
SY855-24VDC	24VDC / Split arrow light, diagnostic controller & 25' wiring harness

**Replacement Parts for all 800 & 855 Series:**

PART #	DESCRIPTION	PART #	DESCRIPTION	PART #	DESCRIPTION
SY800PANEL	12VDC, Incandescent arrow panel	SY812A	Grommet	SY855R-LED	12VDC, LED right arrow
SY800PANEL-24VDC	24VDC, Incandescent arrow panel	SY825	Hinged bracket	SY855R-24VDC-LED	24VDC, LED right arrow
SY800PANEL-LED	12VDC, LED arrow panel	SY830	Dust cover	SY8000000	Controller, 4.75"L x 3.5"W x 1.16"D
SY800PANEL-24VDC-LED	24VDC, LED arrow panel	SY855L	12VDC, Left arrow	SY8000000-A	Drive w/ 25' cable, (used w/ 800 series)
SY811	Magnetic mount kit (SY800 series only)	SY855L-24VDC	24VDC, Left arrow	SY8000000-A-50	Drive w/ 50' cable, (used w/ 800 series)
SY812	12VDC, Incandescent lamp	SY855L-LED	12VDC, LED left arrow	SY8550000-A	Drive w/ 25' cable, (used w/ 855 series)
SY824	24VDC, Incandescent lamp	SY855L-24VDC-LED	24VDC, LED left arrow	SY8550000-A-50	Drive w/ 50' cable, (used w/ 855 series)
SY812L	12VDC, LED lamp	SY855R	12VDC, Right arrow		
SY824L	24VDC, LED lamp	SY855R-24VDC	24VDC, Right arrow		

# Arrow/Directional Lights - Incandescent

## 960 SERIES



### Specifications:

Voltage: 12-24VDC  
 Current Draw: 20AMP max  
 Size: 42"L x 4.5"D x 3.25"H  
 Lamps: 8 sealed lamps -  
     each 25 watt incandescent  
 Brightness Control: High/low  
 Speed Control: Fast/slow

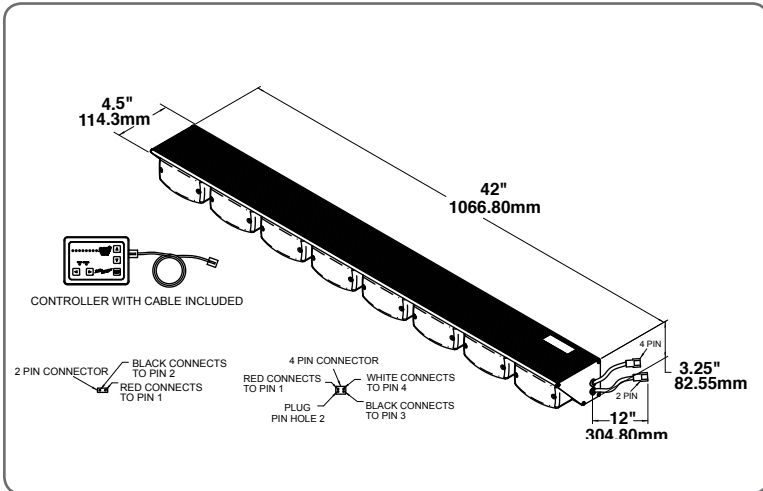
Sequential Modes: Left, right, center out and 2 alternating flash patterns  
 Features:

- Water resistant light
- Replaceable LED modules
- SY960 does not include power cable

Warranty: 1 Year

### PART # INCLUDES

<b>SY960</b>	Arrow light, controller & 25' controller cable
<b>SY960-25</b>	Arrow light, controller, 25' controller cable & 25' power cable
<b>SY960-50</b>	Arrow light, controller, 50' controller cable & 50' power cable



### Replacement Parts:

PART #	DESCRIPTION
SY922	Arrow lens
SY927	Magnetic mount kit
SY928	Universal mount kit
SY930	L-Bracket mount kit
SY934	Flush mount kit
EL360-1156	12VDC lamps
SY960-M	12VDC Amber lamp & lens module
SY3980960	Diagnostic controller
EL390-0426	Power cable, 25'
EL390-0451	Power cable, 50'
SY3970025	Controller cable, 25'
SY3970050	Controller cable, 50'
SY960SEAL-KIT	Seal kit

## SY3900 SERIES

### Arrow Board

- Voltage: 12VDC
- Size: 24" x 48", 30" x 60", 36" x 72" or 48" x 96"
- Housing: Aluminum panels & frame
- Hoods: 360° full
- Lamps: Par 36 or Par 46, LED  
Par 36 or Par 46, sealed beam
- Lamps per Board: 13, 15 or 25
- Visibility: Up to 1 mile
- Features:
  - Photocell for automatic dimming
  - Includes: Arrow board, 2 mounting brackets for controller, controller, and 25' power cable
- Warranty: 1 Year

### Controller:

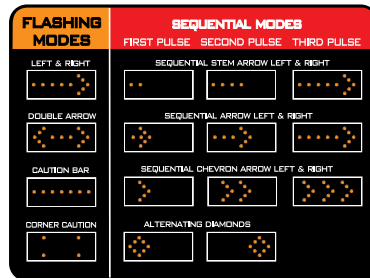
- Visual indication of arrow modes
  - Arrow Modes: 5 flashing & 2 sequential (13 & 15 lamp boards),  
5 flashing & 7 sequential (25 lamp boards)
  - Built in diagnostic feature warns of defective lamps, low vehicle battery & short circuit condition
  - Integrated lift motor controls
  - Automatic or manual brightness control (7 levels, 40%-100%)
  - 25' control cable
- Certifications:** Meets M.U.T.C.D. specifications



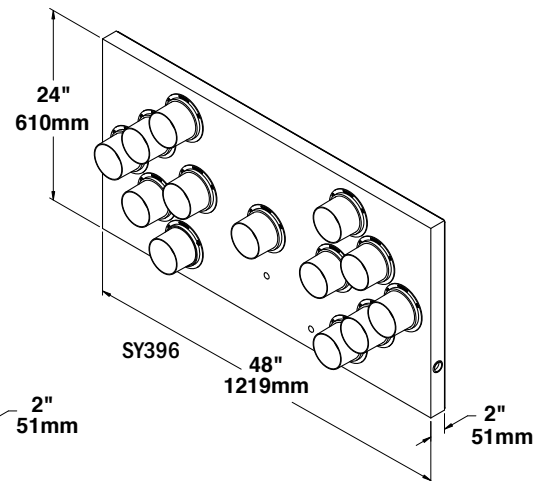
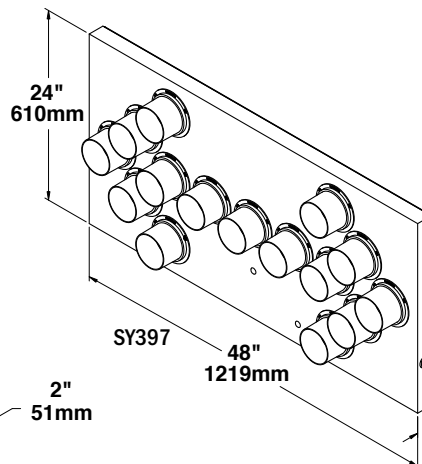
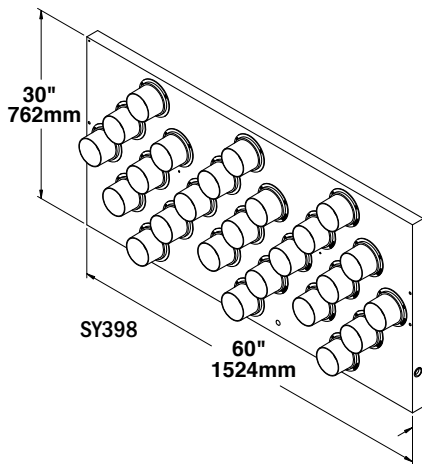
SY3983060L



MODEL	DESCRIPTION
SY3962448L	Arrow board, 24"H x 48"W, Par 36 LED, 13 lamp
SY3972448L	Arrow board, 24"H x 48"W, Par 36 LED, 15 lamp
SY3973060L	Arrow board, 30"H x 60"W, Par 36 LED, 15 lamp
SY3983060L	Arrow board, 30"H x 60"W, Par 36 LED, 25 lamp
SY3973672L	Arrow board, 36"H x 72"W, Par 46, LED, 15 lamp
SY3983672L	Arrow board, 36"H x 72"W, Par 46, LED, 25 lamp
SY3974896L	Arrow board, 48"H x 96"W, Par 46, LED, 15 lamp
SY3984896L	Arrow board, 48"H x 96"W, Par 46, LED, 25 lamp



All SY3900 Series arrow board prices are plus freight and crating charge. Our Traffic-Manager® 3900 Series arrow boards are manufactured to conform to the M.U.T.C.D. specifications. It is the users responsibility to be aware of all local city and state warning mode requirements.



### Replacement Parts:

PART #	DESCRIPTION
SY3980000	Controller
SY3903611	Par 36 hood, 3 hole mount
SY3904611	Par 46 hood, 4 hole mount
SY3903614-S	Par 36 LED
SY3904614-S	Par 46 LED
EL390-0426	Power cable 25'
EL390-0451	Power cable 50'

PART #	DESCRIPTION
SY3970025	Control cable 25'
SY3970035	Control cable 35'
SY3970050	Control cable 50'
SY3961000L	Driver, 13 Light LED
SY3971000L	Driver, 15 Light LED
SY3981000L	Driver, 25 Light LED

# Arrow Boards - LED

## SY382 & SY385 SERIES

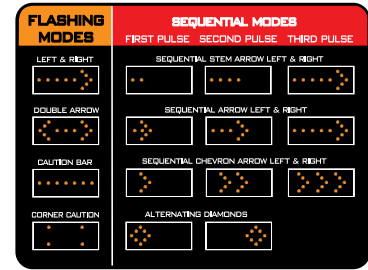
**SY385 Series is a 30x60" Double Sided Version of SY382 Series**

### Arrow Board:

- Sizes: 30" x 60" or 36" x 72" (SY382 Series)
- Housing: Aluminum panels & frame
- Hoods: 180° half
- Lamps: Par 36 LED
- LEDs per Lamp: 19
- Lamps per Board: 25
- Visibility: Up to 1 mile
- Voltage: 12VDC
- Warranty: 1 year



SY3823060L



- Features:
- Photocell for automatic dimming
  - SY382 Series Includes: Arrow board, 2 Mounting brackets for controller, controller, 25' power cable
  - SY385 Series Includes: Arrow board, 4 mounting brackets for controller, 2 controllers, and 25' power cable

### Controller:

- Simplified one touch functions
- Visual indication of arrow modes
- Arrow Modes: 5 flashing & 7 sequential (25 lamp boards)
- Built in diagnostic feature warns of defective lamps, low vehicle battery & short circuit condition
- Auto up/down motor function
- Automatic or manual brightness control (7 levels, 40%-100%)
- 35' control cable

### Certifications:

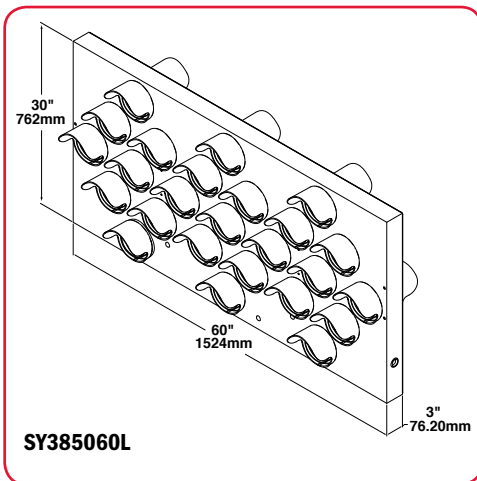
- Meets M.U.T.C.D. specifications

### SY382 Series

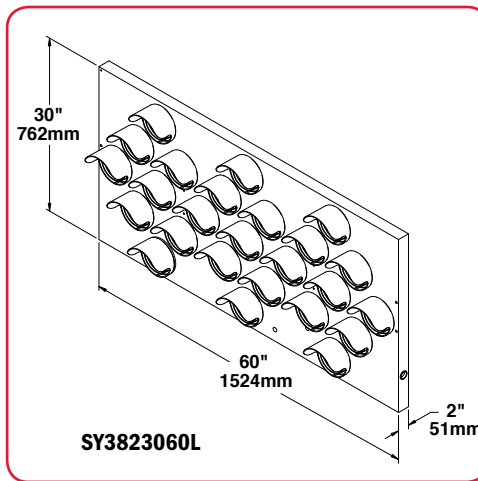
MODEL	DESCRIPTION
SY3823060L	Arrow board, 30"H x 60"W, 25 lamp
SY3823672L	Arrow board, 36"H x 72"W, 25 lamp

### SY385 Series (Double Sided Version of SY382 Series)

MODEL	DESCRIPTION
SY3853060L	Double Sided Arrow board, 30"H x 60"W, 25 lamps each side



SY385060L



SY3823060L

### LAMPS:

#### SY812L

- Par 36 LED
- Patented mirror technology
- Convex design for greater visibility from the side
- 19 LED's per lamp



### HALF HOOD:

#### SY3903605

- Par 36 hood
- Increased side visibility
- Snow won't pack into hood
- Twist off to change bulbs



### Replacement Parts:

PART #	DESCRIPTION	PART #	DESCRIPTION
SY3820000	Controller, 4.75"L x 3.5"W x 1.16"D	EL390-0451	50' Power cable
SY3903605	Par 36 half hood, 3 hole mount	SY3970025	25' Controller cable
SY812L	Par 36 LED lamp	SY3970035	35' Controller cable
SY3820000-A	Driver	SY3970050	50' Controller cable
EL390-0426	25' Power cable		



## SY382-U SERIES

### Arrow board:

- Sizes: 30" x 60"
- Housing: Aluminum panels & frame
- Hoods: 360° full
- Lamps: Par 36, LED
- Lamps per board: 25 or 15
- Visibility: Up to 1 mile
- Voltage: 12VDC
- Warranty: 1 year
- Features:
  - Photocell for automatic dimming
  - Includes: Arrow board, 2 mounting brackets for controller, controller, 25' power cable



SY3833060L-U



SY3823060L-U



- Easy Touch Control

### Controller:

- Simplified one touch functions
- Visual indication of arrow modes on controller
- Built in diagnostic feature warns of defective lamps, low vehicle battery and short circuit condition
- Auto up/down motor function
- Automatic or manual brightness control (7 levels, 40% - 100%)
- Arrow Modes:
  - 5 flashing & 7 sequential (25 lamp boards)
  - 5 flashing & 2 sequential (15 lamp boards)
- 35' control cable (25 lamp boards & 15 lamp boards)

**Certifications:** Meets M.U.T.C.D. specifications

MODEL	DESCRIPTION
SY3823060L-U	Arrow board, 30"H x 60"W, 25 lamp
SY3833060L-U	Arrow board, 30"H x 60"W, 15 lamp

### FULL HOOD:

SY3903611

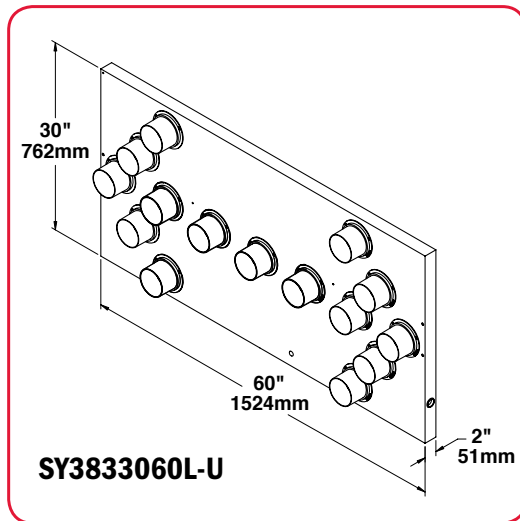
- Par 36 hood
- 3 Hole mount



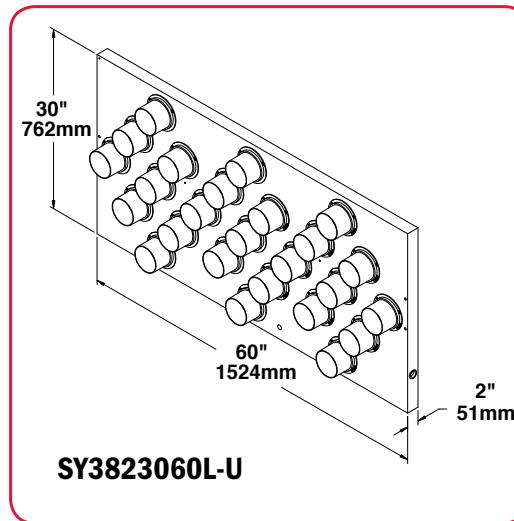
### LAMPS:

SY3903614-S

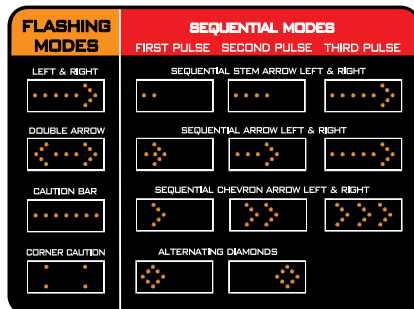
- Par 36 LED lamp
- Flash rate: 30FPM



SY3833060L-U



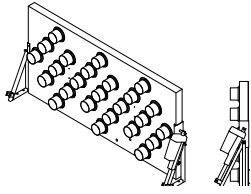
SY3823060L-U



### Replacement Parts:

PART#	DESCRIPTION
SY3970035	35' 7/32" dia cable
SY3903611	360° Full Hood
SY3903614-S	Par 36 LED lamp
SY3820000	Controller
EL390-0426	Power Cable 25'
SY3820000-A	Driver

## 90° POWER LIFT KITS

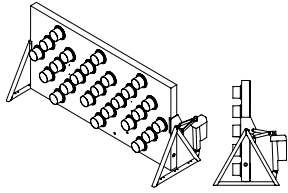


- Right angle design
- Inverted actuator will not collect water
- Constructed with 1" square tubing
- Actuator will automatically stop when in operating or stored position

- Warranty: 1 year
- Includes actuator assembly and side legs
- Not recommended for roof mount applications

PART #	DESCRIPTION	OPERATING HEIGHT	RIDING HEIGHT
SY3800090	Fits 24" x 48" and 30" x 60" boards	27.75" - 30.75"	17"
SY3800095	Fits 36" x 72" boards	36.625"	17.5"

## 180° POWER LIFT KITS

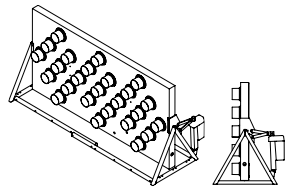


- Angle design
- Inverted actuator will not collect water
- Constructed with 1.25" square tubing
- Actuator will automatically stop when in operating or stored position

- Warranty: 1 year
- Includes actuator assembly and side legs
- Not recommended for roof mount applications

PART #	DESCRIPTION	OPERATING HEIGHT	RIDING HEIGHT
SY3800100	Fits 24" x 48" and 30" x 60" boards	31.375" - 34.75"	23"
SY3800105	Fits 36" x 72" boards	37.5"	23"

## 180° CAB MOUNT POWER LIFT KITS

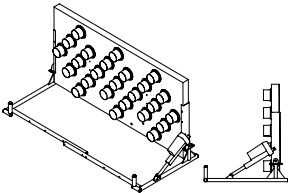


- Angle design
- Inverted actuator will not collect water
- Constructed with 1.25" square tubing
- Actuator will automatically stop when in operating or stored position

- Warranty: 1 year
- Includes actuator assembly and side legs
- Recommended for roof mount applications

PART #	DESCRIPTION	OPERATING HEIGHT	RIDING HEIGHT
SY3800110	Fits 24" x 48" and 30" x 60" boards	31.375" - 34.75"	23"
SY3800115	Fits 36" x 72" boards	37.5"	23"

## LOW PROFILE BOTTOM HINGE POWER LIFT KITS

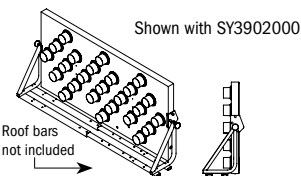


- Bottom hinge design
- Inverted actuator will not collect water
- Constructed with 1.25" square tubing
- Actuator will automatically stop when in operating or stored position

- Warranty: 1 year
- Includes actuator assembly and base frame
- Recommended for roof mount applications

PART #	DESCRIPTION	OPERATING HEIGHT	RIDING HEIGHT
SY3800120	Fits 24" x 48" and 30" x 60" boards	29.25" - 32.125"	11"
SY3800125	Fits 36" x 72" boards	37.875"	11"

## MANUAL LIFT KITS



- Right angle design
- Constructed with 1" square tubing
- Warranty: 1 year

- Includes side legs
- Not recommended for roof mount applications without roof mount bar assembly (SY3902000)

PART #	DESCRIPTION	OPERATING HEIGHT	RIDING HEIGHT
SY3900100	Fits 24" x 48" and 30" x 60" boards	33"	21.25"

### Accessories

PART #	DESCRIPTION
SY3902000	Roof mount bar assembly, fits 24" x 48" and 30" x 60" boards
SY3902002	Gutter mount kit, fits 36" x 72" boards