


LED LIGHTBAR

LRLB SERIES

Specifications:

- Voltage: 12-24VDC
- Mounting Base: Aluminum with steel mounting hardware
- Mount: Permanent or gutter
- Lens: Polycarbonate (replaceable)
- Light Source: 180 LEDs
- Flash Patterns : 24 Warning / 3 Traffic Advisor
- Current Draw: 12.00A Max @ 12VDC / 6.00A Max @ 24VDC
- Output: 132W
- Size: 53.15"L x 3.30"H x 4.72"D
- Color 
- Warranty: 2 Year



Features:

- 360° clean steady burn
- LED rated to 100,000+ hours of use
- Reverse polarity protected
- Easy module replacement
- Fully functioning traffic arrow on reverse

Certifications:

- SAE J845 Class I
- ECE R10
- ECE R65
- CA Title 13

Warning/Directional Flash Patterns

FLASH	PATTERN	FLASH	PATTERN	FLASH	PATTERN
1	Random	9	Quad (All)	17	Single (Inside-out)
2	ECE R65 Rotator	10	Quint (All)	18	Double (Inside-out)
3	ECE R65 Single (All)	11	Single-quad (All)	19	Quad (Inside-out)
4	ECE R65 Rotator (All)	12	Single (Split)	20	Quint (Inside-out)
5	ECE R65 Single (Split)	13	Double (Split)	21	Single (Split 1)
6	ECE R65 Double (Split)	14	Quad (Split)	22	Double (Split 1)
7	Single (All)	15	Quint (Split)	23	Quad (Split 1)
8	Double (All)	16	Single-quad (Split)	24	Quint (Split 1)

Traffic Advisor Flash Patterns

FLASH	PATTERN	FLASH	PATTERN	FLASH	PATTERN
1	Left-solid sweep	2	Right-solid sweep	3	Center-out-solid sweep

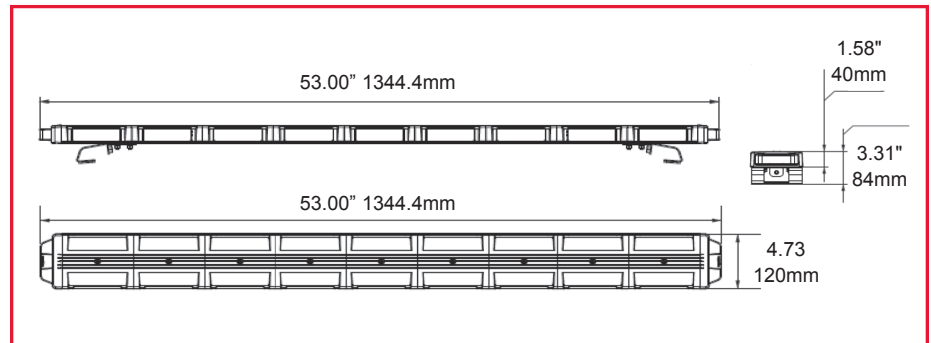
LRLB Series

PART #	COLOR
SYLRLB-53-AC	Lightbar - 53 in. - Amber/Clear

*Other colors available upon request

Replacement Parts & Accessories

PART #	DESCRIPTION
SYLRLB-RMAC	Middle module - Amber/Clear
SYLRLB-RMBC	Middle module - Blue/Clear
SYLRLB-RMRC	Middle module - Red/Clear
SYLRLB-SMAC	End module - Amber/Clear
SYLRLB-SMBC	End module - Blue/Clear
SYLRLB-SMRC	End module - Red/Clear
SY6SWP	Replacement controller



APPLICATIONS:



US: 16355 South Lone Elm Road • Olathe, KS 66062 • USA
Canada: 75 Skyway Drive • Mississauga, ON L5W 0H2 • Canada

P: 913-780-1440 • TOLL FREE 800-447-3693
E: info@superiorsignals.com • www.superiorsignals.com